

Prism

Mirror

Window

Beamsplitter

Waveplate

IR Optics

Lens

Filter

Micro Optics

Plastic Optics

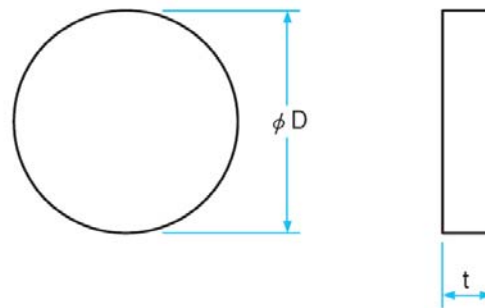
Window MgF2

Introductions



Used as transparent barriers for sending and receiving light between two phases under varying conditions in temperature, pressure, chemical composition, cleanliness, and phase. Windows of synthetic optical MgF2 are highly abrasion-resistant, with hardness approaching that of diamonds. The material allows transmission of light in the range from ultraviolet to near-infrared.

Beam Path



Standard Specifications

Items	Specifications
Material	Magnesium Fluoride single crystal
Designed Index	1.376 ±0.0005 @ 700nm
Dimension Tolerance	+0.0/-0.2 mm
Thickness Tolerance	± 0.2 mm
Clear Aperture	> 80%
Parallelism	< 1 arc minutes
Flatness	λ/4 at 632.8 nm
Surface Quality	scratch and dig 40-20
Bevel	0.5 (0/-0.3) mm

Notes:

1. Surface Quality could reach 40-20
2. Parallelism such as 30" is available.
3. Please show us the size and the coating specification.

Part NO.	D(mm)	t(mm)
IWM0101	10.0	2.0
IWM0102	12.7	3.0

Window MgF2

Optical Components

IWM 01