

Prism

Mirror

Window

Beamsplitter

Waveplate

IR Optics

Lens

Filter

Micro Optics

Plastic Optics

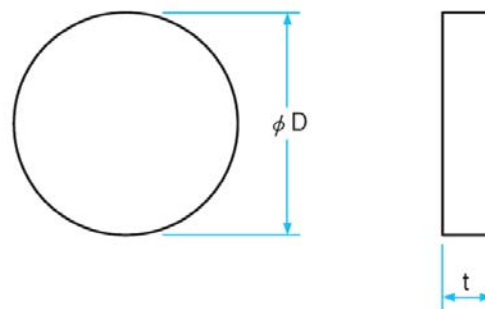
Window CaF₂

Introductions



Used as transparent barriers for sending and receiving light between two phases under varying conditions in temperature, pressure, chemical composition, cleanliness, and phase. Windows of synthetic optical CaF₂ are highly abrasion-resistant, with hardness approaching that of diamonds. The material allows transmission of light in the range from ultraviolet to near-infrared.

Beam Path



Standard Specifications

Items	Specifications
Material	Calcium Fluoride (CaF ₂)
Designed Index	1.432 ±0.0005 @ 700nm
Dimension Tolerance	+0.0/-0.2 mm
Thickness Tolerance	± 0.2 mm
Clear Aperture	> 80%
Parallelism	< 1 arc minutes
Flatness	λ/4 at 632.8 nm
Surface Quality	scratch and dig 60-40
Bevel	0.5 (0/-0.3) mm

Notes:

1. Surface Quality could reach 40-20
2. Parallelism such as 30" is available.
3. Please show us the size and the coating specification.

Part NO.	D(mm)	t(mm)
IWC0101	20.0	1.0
IWC0102	20.0	2.0
IWC0103	25.0	2.0
IWC0104	25.0	3.0
IWC0105	30.0	2.0
IWC0106	30.0	3.0
IWC0107	40.0	3.0
IWC0108	40.0	4.0
IWC0109	50.0	3.0
IWC0110	50.0	5.0

 Window CaF₂

Optical Components

IWC 01