

Prism

Mirror

Window

Beamsplitter

Waveplate

**IR Optics**

Lens

Filter

Micro Optics

Plastic Optics

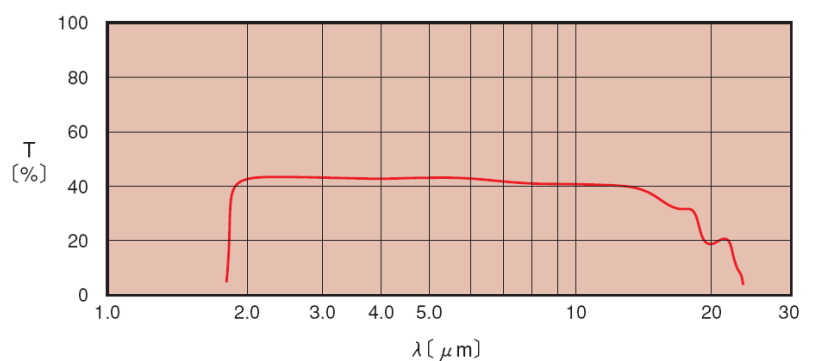
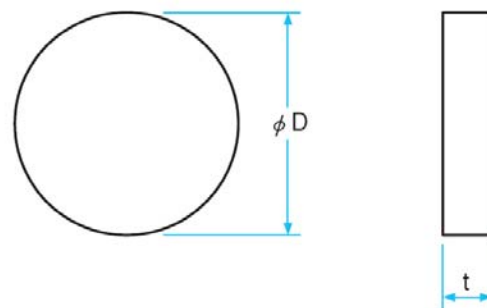
## Window Germanium

### Introductions



Used as transparent barriers for sending and receiving light between two phases under varying conditions in temperature, pressure, chemical composition, cleanliness, and phase. Germanium crystal windows, used primarily for light in the infrared region of wavelengths from 2 to 20 $\mu\text{m}$ , at which Germanium crystal offers higher internal transmittance.

### Beam Path



### Standard Specifications

Items	Specifications
Material	Germanium (Ge)
Density	5.33g/cm <sup>3</sup>
Heat Transfer Coefficient	58.6 W/m · K
Dimension Tolerance	+0.0/-0.2 mm
Thickness Tolerance	$\pm$ 0.2 mm
Clear Aperture	> 90%
Parallelism	< 3 arc minutes
Flatness	$\lambda/4$ at 632.8 nm
Surface Quality	scratch and dig 60-40
Bevel	0.5 (0/-0.3) mm

#### Notes:

1. Surface Quality could reach 40-20
2. Parallelism such as 30" is available.
3. Please show us the size and the coating specification.

Part NO.	D(mm)	t(mm)
IWG0101	30.0	3.0
IWG0102	50.0	5.0

Window Germanium

Optical Components

IWG 01